

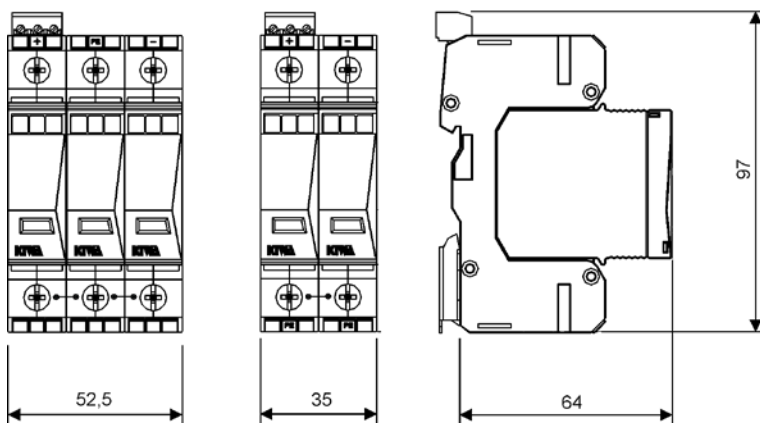
POPV II 3 F 1000 V DC
POPV II 2 F 600 V DC

POPV are surge protective devices designed for application in area of photovoltaic systems with DC circuits.

- For protection of DC circuits of photovoltaic systems with operating voltage up to 1000 V
- Plug-in protectives modules
- Varistor modules for protection against overvoltage
- Optical signalization of operation state
- Remote signalization of operation state (R version)
- Protective modules rotatable with respect to the base through 180°



DIMENSIONS

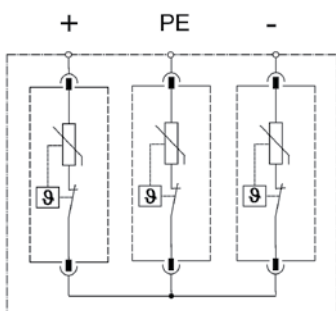


POPV II 3 F R 1000 V DC

POPV II 2 F R 600 V DC

CONNECTION DIAGRAM

BASIC VERSION



POPV II 3 F 1000 V DC

Signalling states:

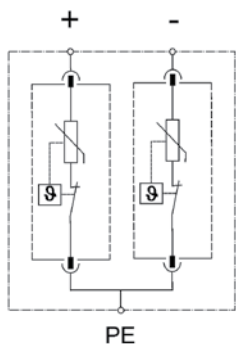
- green = OK
- red = out of operation, to be replaced immediately



POPV II 2 F 600 V DC

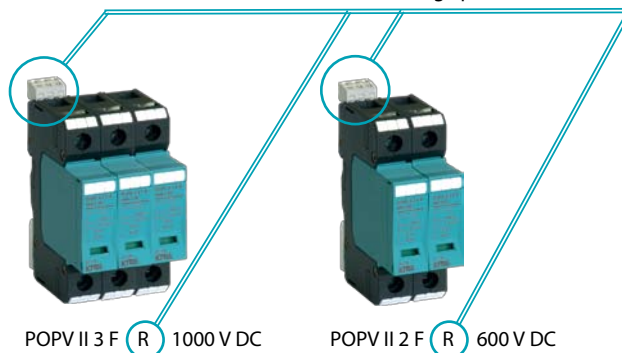
POPV II 3 F 1000 V DC

R VERSION



POPV II 2 F 600 V DC

Optional version with remote signalling (R) for the identification of the overvoltage protection state

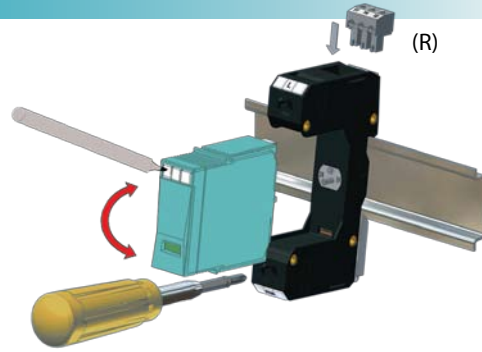


POPV II 3 F (R) 1000 V DC

POPV II 2 F (R) 600 V DC

INSTALLATION

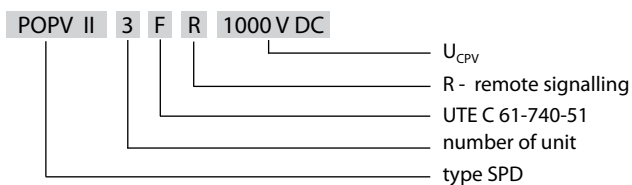
- Installation on DIN rail
- Cable labeling system using Dekafix replaceable strips
- Plug-in varistor can be turned through 180°



TECHNICAL PARAMETERS

TYPE	POPV II 3 F 1000 V DC	POPV II 2 F 600 V DC
Numer of ports	3	2
Max. operating voltage U_{CPV}	1000 V=	600 V=
Volatage protection level at U_p	L+/L-	≤ 4,2 kV
	L+L-/PE	≤ 4,2 kV
		≤ 2,65 kV
Response time t_A	L+/L-	< 25 ns
	L+L-/PE	< 25 ns
		< 25 ns
Nominal discharge current (8/20) I_n	15 kA	15 kA
Max. discharge current (8/20) I_{max}	40 kA	40 kA
Short-circuit withstand I_{SCWPV}	200 A	200 A
Signalling changeover contact	M3/0.25 Nm, □0,2 ... 1,5 mm ² , max. 250 V~/1A	
Status indication of TDD (Thermic Disconnecting Device)	green (OK) / red(OUT)	
Min. ... max. tightening torque	2 ... 3 Nm	
Connecting conductor cross section	- wire	4 ... 35 mm ²
	- cord	4 ... 25 mm ²
Operating temperature range	- 40 ... +70 °C	
Degree of protection	IP 20	
Dimensions	97 x 64 x 52,5 mm	97 x 64 x 35 mm
Mounting on profiled DIN rail	35 x 7,5 mm	
Products comply with norms UTE C 61-740-51	Class II	

PRODUCT SPECIFICATION



TYPE	Order number
POPV II 3 F 1000 V DC	82.107
POPV II 3 F R 1000 V DC	82.108
POPV II 0 F 1000 V DC	82.109
POPV II 2 F 600 V DC	82.125
POPV II 2 F R 600 V DC	82.126
POPV II 0 F 600 V DC	82.127