

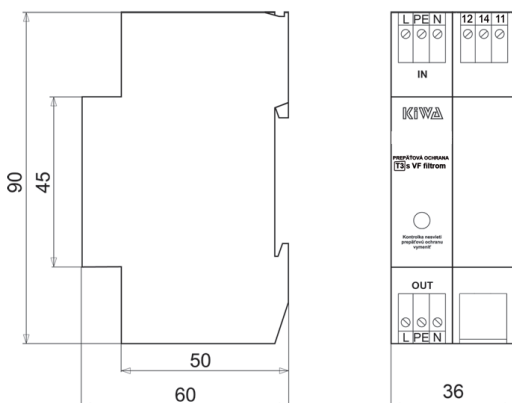
DISTRIBUTION BOX OVERVOLTAGE PROTECTION with HF filter

RPOD F 6, RPOD F 16, RPOD F 6-L, RPOD F 16-L and RPOD F 16-LI

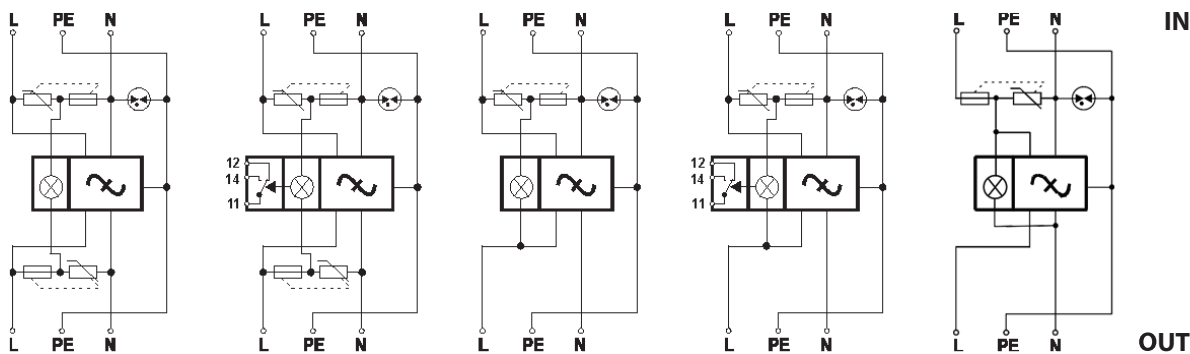
- Usage as 3rd level (T3, fine protection) in 3-level overvoltage protection concept
- It decreases overvoltage and reduces overvoltage wave energy caused by induction and switching processes in the connected low voltage network
- Prevents propagation of HF disturbances
- Installation on 35 mm DIN rail
- Protection against the transverse and longitudinal overvoltage (L/N, L/PE, N/PE)
- Protective effect provided by a varistor in combined with spark gap
- Integrated HF filter
- Optical and remote signalling of operation state



DIMENSIONS



CONNECTION DIAGRAM



RPOD F 6
RPOD F 16

RPOD R F 6
RPOD R F 16

RPOD F 6-L
RPOD F 16-L

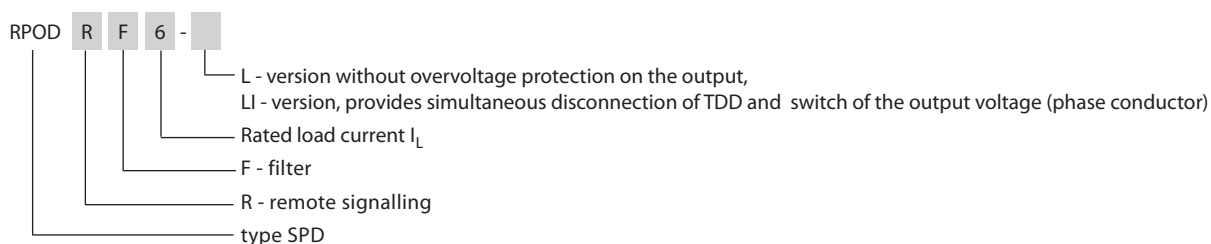
RPOD R F 6-L
RPOD R F 16-L

RPOD F 16-LI

TECHNICAL PARAMETERS

TYPE		RPOD F 6	RPOD R F 6	RPOD F 16	RPOD R F 16	RPOD F 6-L	RPOD R F 6-L	RPOD F 16-L	RPOD R F 16-L	RPOD F 16-LI
		Nominal voltage U_n		230 V AC		230 V AC		230 V AC		230 V AC
Rated load current I_L		6 A		16 A		6 A		16 A		16 A
Max. operating voltage U_c		255 V AC		255 V AC		255 V AC		255 V AC		255 V AC
Open circuit voltage U_{oc}		4 kV		4 kV		4 kV		4 kV		4 kV
Voltage protection level U_p	L/N	0,9 kV		0,9 kV		1,2 kV		1,2 kV		1,2 kV
	N/PE	1,2 kV		1,2 kV		1,2 kV		1,2 kV		1,2 kV
	L/PE	1,5 kV		1,5 kV		1,5 kV		1,5 kV		1,5 kV
Response time t_A	L/N	<25 ns		<25 ns		<25 ns		<25 ns		<25 ns
	L/PE, N/PE	<100 ns		<100 ns		<100 ns		<100 ns		<100 ns
Residual current I_{PE}		<1 mA		<1 mA		<1 mA		<1 mA		<1 mA
Overcurrent protection (fuse gG/circuit breaker B, C, D)		≤ 6 A		≤ 16 A		≤ 6 A		≤ 16 A		≤ 16 A
Prospective short-circuit current of a power supply I_p		6 kA _{ef}		6 kA _{ef}		6 kA _{ef}		6 kA _{ef}		6 kA _{ef}
Filter attenuation symmetric 0,8 - 30 MHz		> 40 dB		> 40 dB		> 40 dB		> 40 dB		> 40 dB
Filter attenuation asymmetric 3 - 30 MHz		> 40 dB		> 40 dB		> 40 dB		> 40 dB		> 40 dB
Connecting conductor cross section		0,5 ... 2,5 mm ²		0,5 ... 2,5 mm ²		0,5 ... 2,5 mm ²		0,5 ... 2,5 mm ²		0,5 ... 2,5 mm ²
Signalling changeover contact		-	max. 250VAC 3 mA 1 A	-	max. 250VAC 3 mA 1 A	-	max. 250VAC 3 mA 1 A	-	max. 250VAC 3 mA 1 A	-
Degree of protection		IP 20								
Status indication of TDD (Thermic Disconnecting Device)		green (OK)								
Dimensions		90 x 60 x 36 mm								
Mounting on profiled DIN rail		35 x 7,5 mm								
Product comply with norms STN EN 61643-11/A11 IEC 61643-1 VDE 0675-06		typ 3 T3 Class III Klasse D								

PRODUCT SPECIFICATION



TYPE	Order number
RPOD F 16	92.042
RPOD R F 16	92.043
RPOD F 6	92.136
RPOD R F 6	92.137

TYPE	Order number
RPOD F 16-L	92.142
RPOD R F 16-L	92.143
RPOD F 6-L	92.144
RPOD R F 6-L	92.145

TYPE	Order number
RPOD F 16-LI	92.159